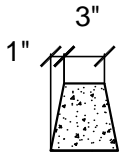
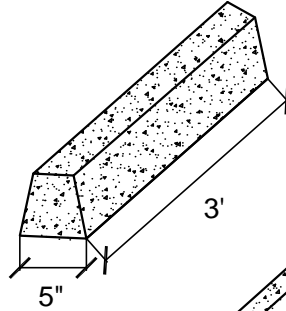
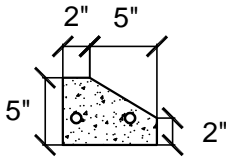
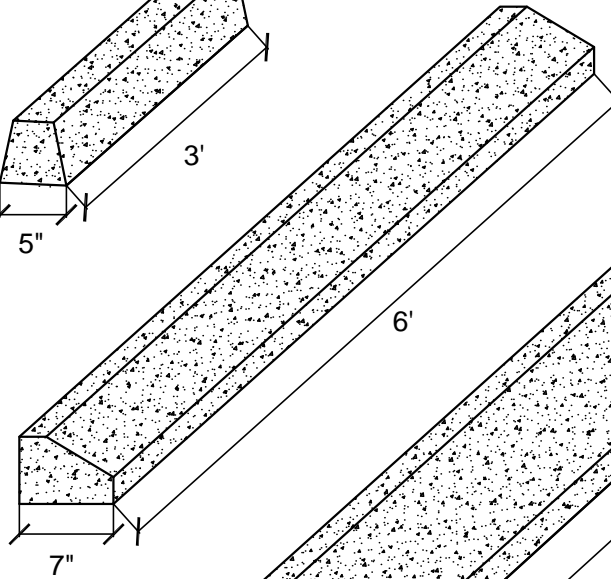


CURBING

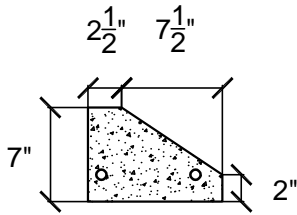
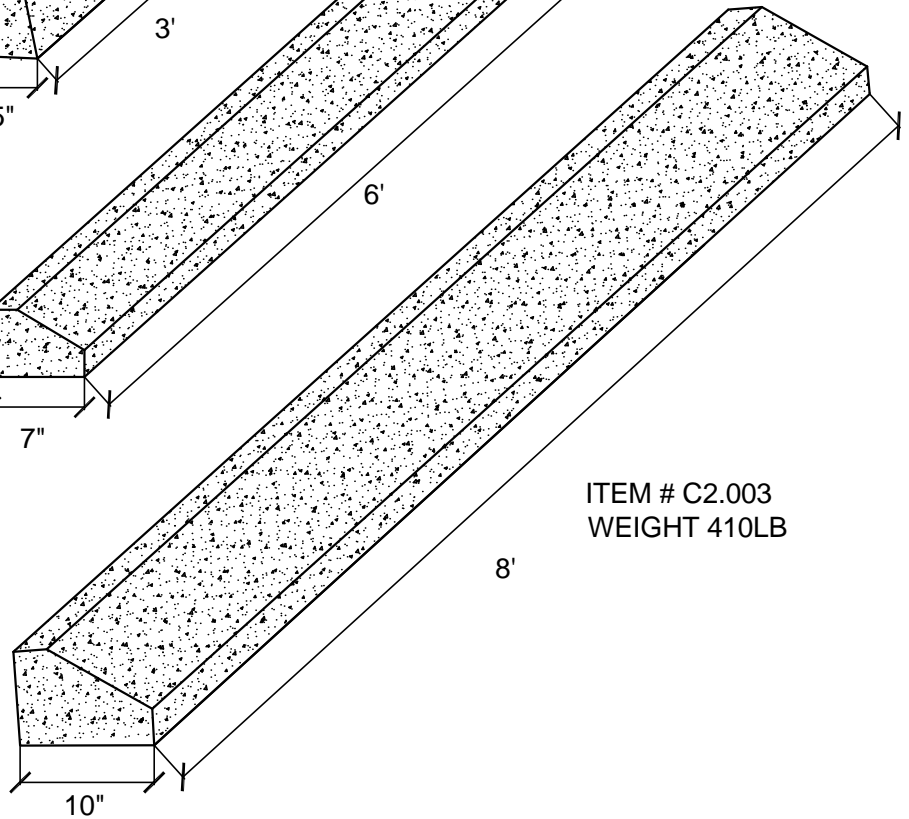
ITEM # C2.001
WEIGHT 65LB



ITEM # C2.002
WEIGHT 200LB



ITEM # C2.003
WEIGHT 410LB



SPECIFICATIONS:
5000 psi AT 28 DAYS
AIR ENTRAINING 5-7%
10mm REBAR REINFORCING

- NOTES:**
- 6FT AND 8FT CURBING CONTAIN ANCHOR HOLES.
 - AVAILABLE ON OTHER SIZES UPON REQUEST.
 - EXCELLENT FOR DRIVEWAYS, BORDERS, DIVIDERS, PARKING LOTS, TRAFFIC CONTROL ETC
 - DRAWING NOT TO SCALE, FOR GRAPHICAL PURPOSES ONLY