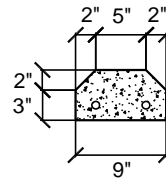
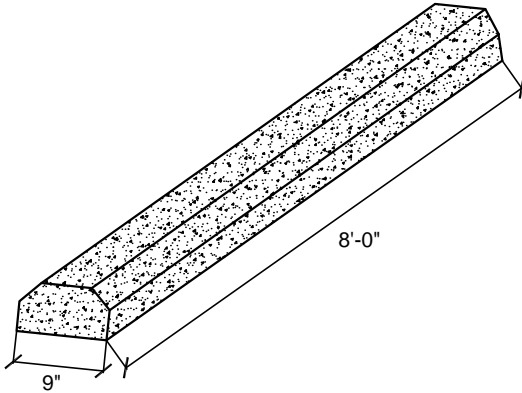
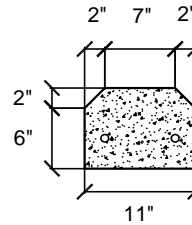
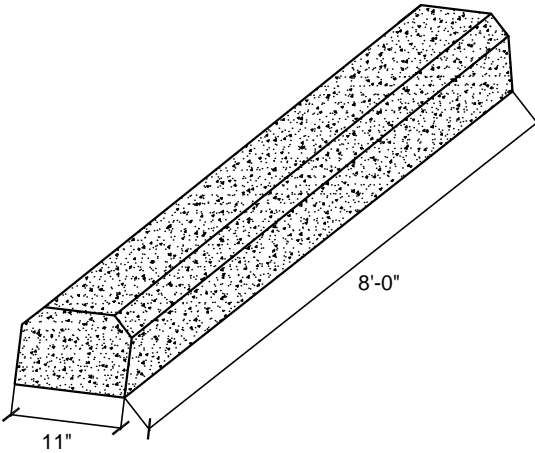


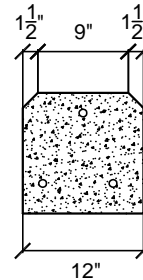
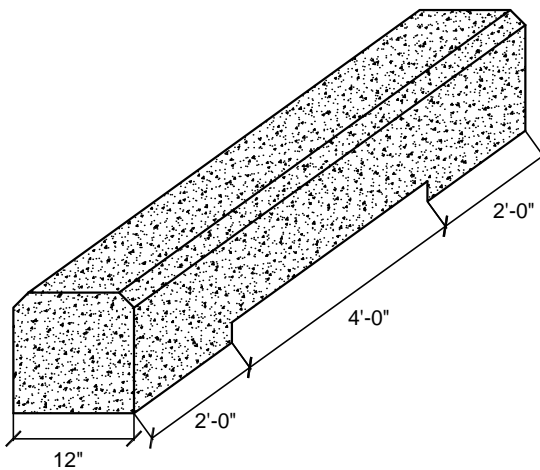
## CURBING



ITEM # C2.101  
 WEIGHT 340LB



ITEM # C2.102  
 WEIGHT 720LB



ITEM # C2.103  
 WEIGHT 1185LB

**SPECIFICATIONS:**  
 5000 psi AT 28 DAYS  
 AIR ENTRAINING 5-7%  
 10mm REBAR REINFORCING

**NOTES:** - 6FT AND 8FT CURBING CONTAIN ANCHOR HOLES.  
 -AVAILABLE ON OTHER SIZES UPON REQUEST.  
 -EXCELLENT FOR DRIVEWAYS, BORDERS, DIVIDERS, PARKING LOTS,  
 TRAFFIC CONTROL ETC