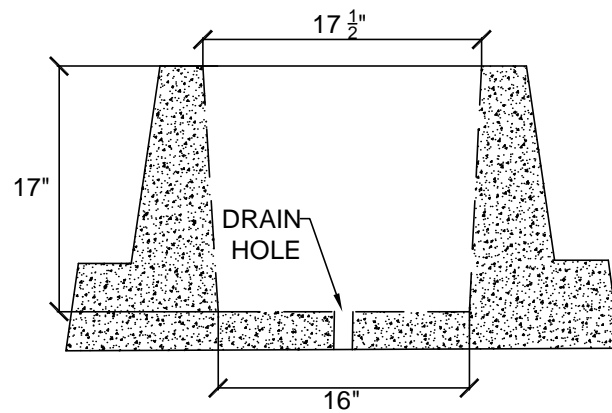
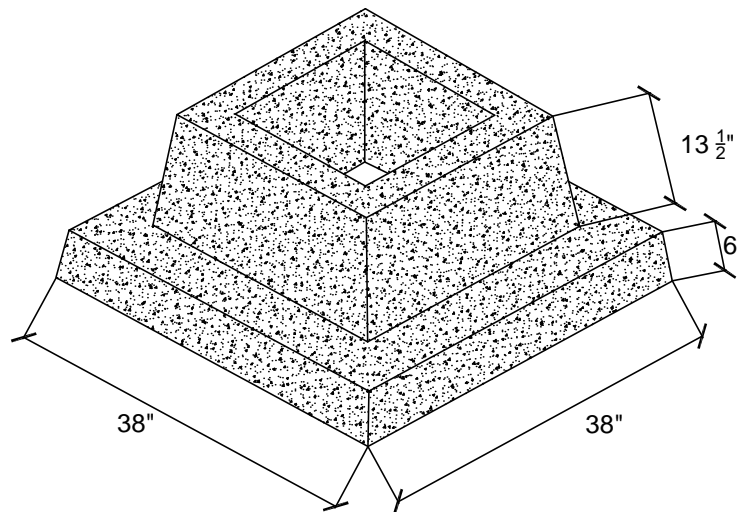


CAMPBELL'S CONCRETE LTD.
420 MT. EDWARD ROAD, P.O. BOX 373 • CHARLOTTETOWN, P.E.I. C1A 7K7

C7.0

GARBAGE CAN HOLDER

ITEM # C7.001
WEIGHT 1125 LB



SPECIFICATIONS:
5000 psi AT 28 DAYS
AIR ENTRAINING 5-7%

NOTES: FITS A STANDARD RUBBERMAID CAN (ITEM #3958)
RESISTS BREAKAGE FROM ACCIDENTAL BUMPS MAKING
IT EXCELLENT FOR USE IN PARKING AREAS