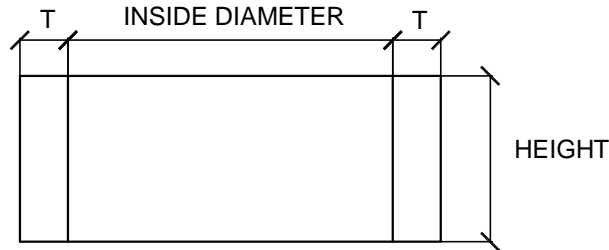
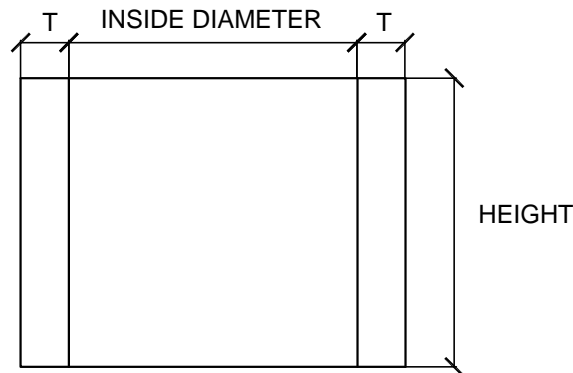


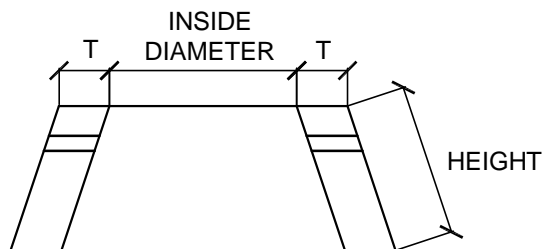
PRECAST GRADE RINGS AND TAPERED CONES



27" (675mm) INSIDE DIAMETER
GRADE RING



24" (600mm) INSIDE DIAMETER
GRADE RING



24" (600mm) - 32" (800mm)
INSIDE DIAMETER
GRADE RING

SPECIFICATIONS:
5000 psi AT 28 DAYS
REINFORCING AS PER ASTM STANDARD C-478
AIR ENTRAINING 5-7%