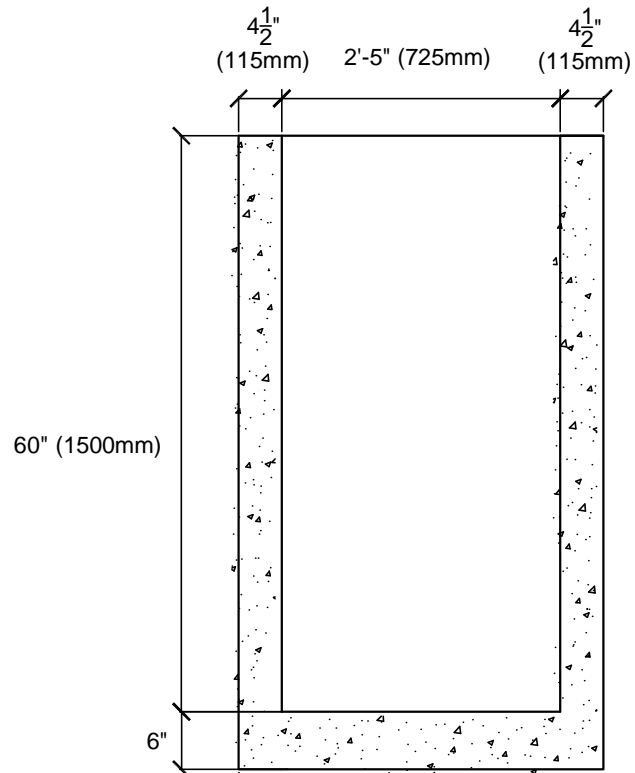
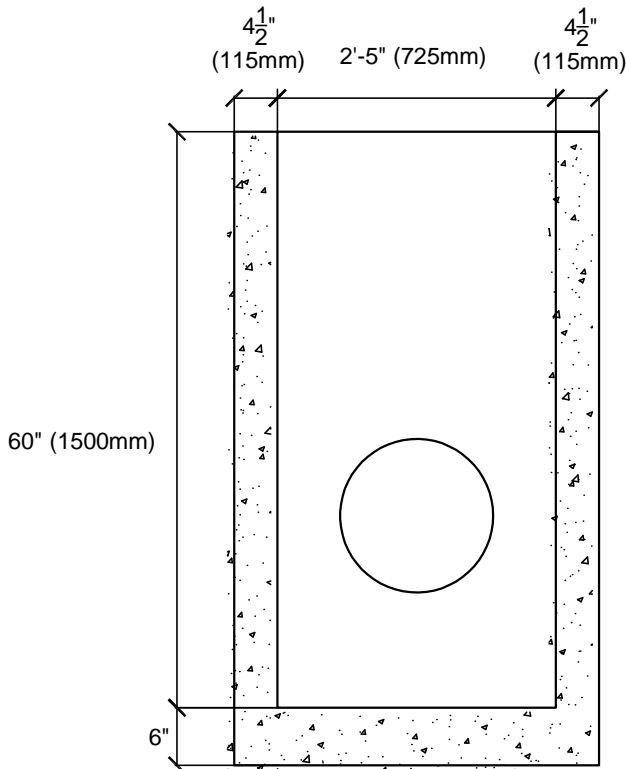
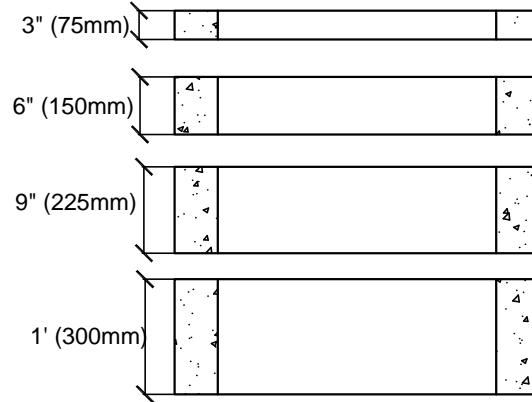
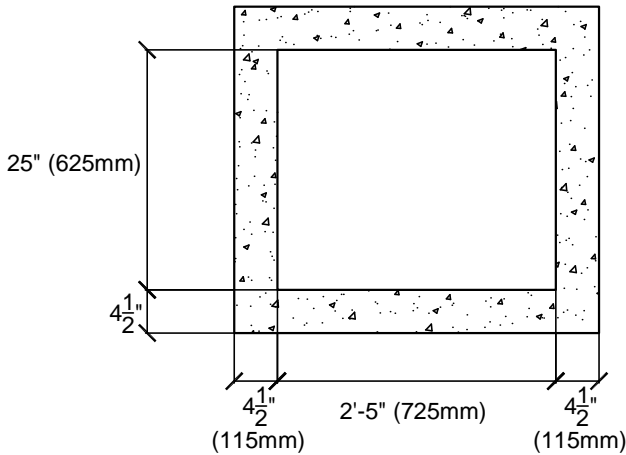


## STANDARD RECTANGULAR CATCHPIT



**SPECIFICATIONS:**  
 5000 psi AT 28 DAYS  
 REINFORCING 6x6x6 W.W.M  
 AIR ENTRAINING 5-7%

**NOTES:** AVAILABLE WITH OR WITHOUT INTEGRAL BASE  
 STANDARD 16" (400mm) PIPE OPENING  
 OTHER OPENING SIZES AVAILABLE