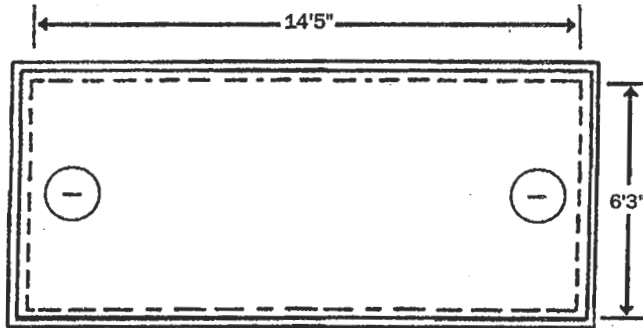


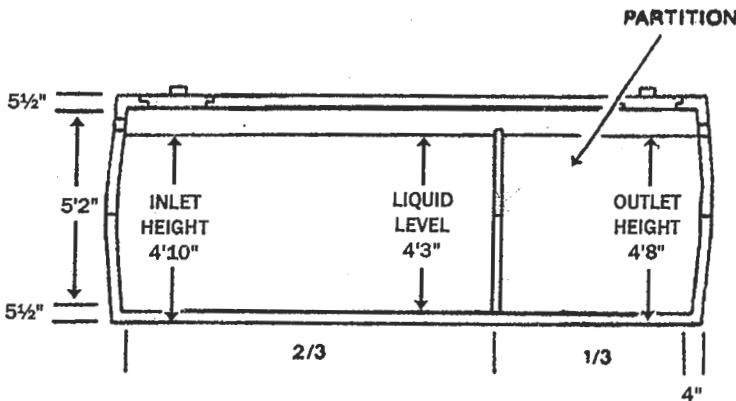


DIMENSIONS & SPECS. ON 2200 GAL. SEPTIC TANKS



TOP VIEW

ITEM # W2•403
WEIGHT: 23,500 LB.



CROSS SECTION

HOLE SIZE

W	L	D
8'0"	17'0"	4'10"

* depth from bottom of inlet

SPECIFICATIONS:

- Approved by the P.E.I. Dept. of Fisheries, Aquaculture and Environment
- 5000 psi at 28 days
- Air entraining: 5-7%
- Reinforcing as shown on page W2•3
- See Detail # W8•001 for Polylok Seal Detail (page W8•0)

NOTES:

- Partition contains an 8" x 8" opening centered on liquid level
- Partition extends 1 1/2" above liquid level