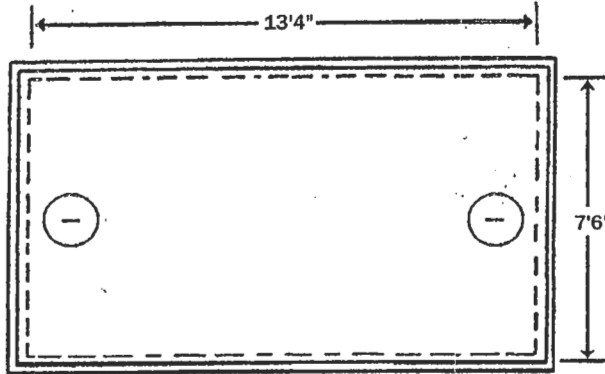


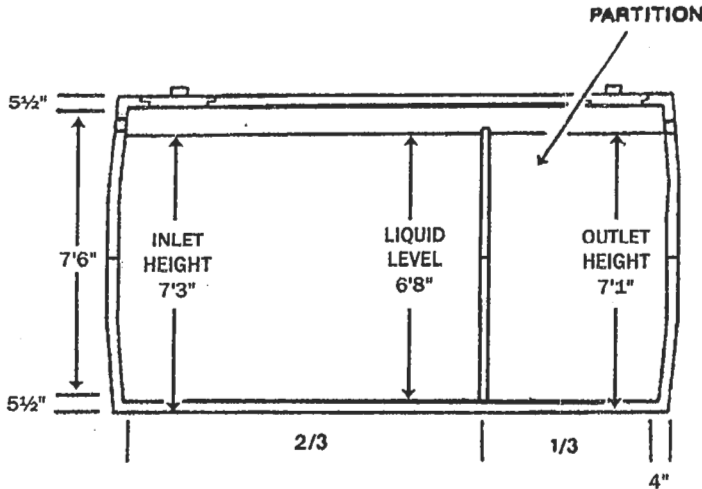


# DIMENSIONS & SPECS. ON 4000 GAL. SEPTIC TANKS



TOP VIEW

ITEM # W2•404  
WEIGHT: 32,200 LB.



CROSS SECTION

HOLE SIZE

W	L	D
9'0"	15'0"	6'8"

\* depth from bottom of inlet

- SPECIFICATIONS:**
- Approved by the P.E.I. Dept. of Fisheries, Aquaculture and Environment
  - 5000 psi at 28 days
  - Air entraining: 5-7%
  - Reinforcing as shown on page W2•3
  - See Detail # W8•001 for Polylok Seal Detail (page W8•0)

- NOTES:**
- Partition contains an 8" x 8" opening centered on liquid level
  - Partition extends 1 1/2" above liquid level